

INSTRUCTION MANUAL

DC-60 Dust Collector (240V) 1200 CFM



W396

*owners
manual*

SERVICE

**Dust Collection
System**

HOW TO ORDER
REPAIR PARTS

DUST COLLECTION SYSTEM

WHEN ORDERING REPAIR PARTS, ALWAYS
GIVE THE FOLLOWING INFORMATION:

PART NUMBER

PART DESCRIPTION

MODEL NUMBER

NAME OF ITEM
Dust Collection
System

All parts listed may be ordered from any Service Center and most stores. If the parts you need are not stocked locally, your order will be electronically transmitted to original maker. for handling.

IMPORTANT SAFETY INSTRUCTIONS

When using your Dust Collection System, follow basic safety precautions including the following.

WARNING

To reduce the risk of fire, electric shock, or injury:

- Read and understand this owner's manual and all labels on the Dust Collection System before operating. Use only as described in this manual. To avoid personal injury or damage to Dust Collection System, use only recommended accessories.
- Sparks inside the electrical parts, can ignite flammable vapors or dust. To avoid fire or explosion:
 - Do not vacuum, or use this Dust Collection System near flammable or combustible liquids, gases, gasoline or other fuels, lighter fluid, cleaners, oil-based paints, natural gas, hydrogen, or explosive dusts like coal dust, magnesium dust, grain dust, or gun powder.
 - Do not vacuum anything that is burning or smoking, such as cigarettes, matches, or hot ashes.
 - To avoid health hazards from vapors or dusts, do not vacuum toxic materials.
 - Do not use or store near hazardous materials.
 - Do not use outdoors or on wet surfaces.
 - Put unit on a stable, level surface.
 - Route vacuum hose and electric cord out of traffic areas.
 - Do not allow to be used as a toy. Close attention is necessary when used by or near children.
 - Do not leave appliance plugged in. Unplug from outlet when not in use and before servicing.
- To avoid injury from accidental starting, unplug power cord before changing or cleaning filter/dust bag or chip bag.
- Do not use without filter/dust bag and/or chip bag in place.
- Do not unplug by pulling on cord. To unplug, grasp the plug, not the cord.
- Turn off controls before unplugging.
- Do not use with damaged cord, plug or other parts. If your Dust Collection System is not working as it should, has missing parts, has been dropped, damaged, left outdoors, or dropped into water, return it to Service Center.
- Do not pull or carry by cord, use cord as handle, close a door on cord, or pull cord around sharp edges or corners. Do not run Dust Collection System over cord. Keep cord away from heated surfaces.
- Do not handle plug of the Dust Collection System with wet hands.
- Do not put any object into ventilation openings. Do not vacuum with any ventilation openings blocked; keep free of dust, lint, hair or anything that may reduce air flow.
- Keep hair, loose clothing, fingers, and all parts of body away from openings and moving parts.
- Extension cords in poor condition or that are too small can pose fire and shock hazards. When using an extension cord, be sure it is in good condition. See "Extension Cords" in the "Operation" section for proper wire sizes.
- Connect to properly grounded outlet only. (See "Grounding Instructions" on page 14.)

**SAVE THESE INSTRUCTIONS
FOR FUTURE REFERENCE**




CAUTION: If using this Dust Collection System to help keep airborne wood dust in heavy usage within acceptable limits, you must regularly monitor airborne dust and maintain Dust Collection System to avoid exceeding dust limits. Each application is unique. Your maintenance schedule must, therefore, be tailored to your specific use of this Dust Collection System.


Safety is a combination of common sense, staying alert and knowing how your Dust Collection System works.

BEFORE USING THE DUST COLLECTION SYSTEM:

WARNING: TO AVOID MISTAKES THAT COULD RESULT IN SERIOUS, PERMANENT INJURY, DO NOT CONNECT POWER CORD UNTIL THE FOLLOWING STEPS HAVE BEEN SATISFACTORILY COMPLETED:

1. Assembly, mounting and alignment.
2. Learn the function and proper use of the ON-OFF switch.
3. Read and understand all safety instructions and operating procedures throughout the manual.
4. Read the following labels which appear on the top and bottom of filtration housing and sides of motor.

WARNING	
	Metal shavings or dust can set sawdust on fire. Collect wood materials only. Do not collect metal shavings or dust. See manual for details.
	Risk of electrical shock. Use indoors in dry areas. Do not use outdoors or on wet surfaces.
	Sparks can ignite vapors from flammable products. Do not use around flammable products.
If connected to a circuit protected by fuses, use time delay fuses with this appliance.	

WARNING	
	Hazardous moving parts inside Unplug before removing inlet guard. Attach inlet guard before plugging in.

BEFORE EACH USE:

1. Inspect your Dust Collection System. If any parts are missing, bent, or fall in any way, or any electrical components do not work properly, turn off the Dust Collection System, remove switch key, and remove power supply cord from power supply. Replace damaged, missing or failed parts before using the Dust Collection System again.
2. Plan your work to protect your eyes, hands, face, ears and body.



A. WEAR SAFETY GOGGLES, FORESIGHT IS BETTER THAN NO SIGHT. Wear safety goggles, not glasses, that comply with ANSI Z87.1 (shown on label). Operating any power tool can result in foreign objects being thrown into the eyes which can result in permanent eye damage. Safety goggles are available at stores. Use of glasses or goggles not in compliance with ANSI Z87.1 could result severe in injury from breakage of the eye protection.

B. When cleaning collection bags, wear a dust mask.

GENERAL SAFETY INSTRUCTIONS FOR POWER TOOLS

1. KNOW YOUR TOOL

Read and understand owner's manual and labels affixed to the tool. Learn its application and limitations as well as its specific potential hazards peculiar to this tool.

2. GROUND THE TOOL

This tool is equipped with an approved 3-conductor cord and a 3-prong grounding type plug to fit the proper grounding type receptacle. The green conductor in the cord is the grounding wire. Never connect the green wire to a live terminal.

3. KEEP GUARDS IN PLACE

— in working order, and in proper adjustment and alignment.

4. REMOVE ADJUSTING KEYS AND WRENCHES

Form habit of checking to see that keys and adjusting wrenches are removed from tool before turning it on.

5. KEEP WORK AREA CLEAN

Cluttered areas and benches invite accidents. Floor must not be slippery due to wax or sawdust.

6. AVOID DANGEROUS ENVIRONMENT

Don't use power tools in damp or wet locations or expose them to rain. Keep work area well lighted. Provide adequate surrounding work space.

7. KEEP CHILDREN AWAY

All visitors should be kept a safe distance from work area.

8. MAKE WORKSHOP CHILD-PROOF

— with padlocks, master switches, or by removing starter keys.

9. USE PROPER SPEED

This tool will do the job better and safer when operated at the proper speed.

10. USE RIGHT TOOL

Don't force tool or attachment to do a job for which it was not designed.

11. WEAR PROPER APPAREL

Do not wear loose clothing, gloves, neckties or jewelry (rings, wristwatches) to get caught in moving parts. Non-slip footwear is recommended. Wear protective hair covering to contain long hair. Roll long sleeves above the elbow.

12. USE SAFETY GOGGLES (Head Protection)

Wear safety goggles (must comply with ANSI Z87.1) at all times. Everyday eyeglasses only have impact resistant lenses, they are NOT safety glasses. Also, use face or dust mask if cutting operation is dusty, and ear protectors (plugs or muffs) during extended periods of operation.

13. DON'T OVERREACH

Keep proper footing and balance at all times.

14. MAINTAIN TOOLS WITH CARE

Keep tools sharp and clean for best and safest performance. Follow instructions for lubricating and changing accessories.

15. DISCONNECT TOOLS

Before servicing, when changing accessories or attachments.

16. AVOID ACCIDENTAL STARTING

Make sure switch is in "OFF" position before plugging in.

17. USE RECOMMENDED ACCESSORIES

Consult the owner's manual for recommended accessories. Follow the instructions that accompany the accessories. The use of improper accessories may cause hazards.

18. NEVER STAND ON TOOL

Serious injury could occur if the tool tips over. Do not store materials such that it is necessary to stand on the tool to reach them.

19. CHECK DAMAGED PARTS.


Before further use of the tool, a guard or other part that is damaged should be carefully checked to ensure that it will operate properly and perform its intended function. Check for alignment of moving parts, binding or moving parts, breakage of parts, mounting, and any other conditions that may affect its operation. A guard or other part that is damaged should be properly repaired or replaced.

20. NEVER LEAVE MACHINE RUNNING UNATTENDED

Turn power "OFF". Don't leave Dust Collection System until it comes to a complete stop.

introduction

This Dust Collection System is specifically designed to capture sawdust and wood chips at the source. The fine dust is filtered by the upper bag while heavy particles settle in the lower bag for easy removal. Do not use as a vacuum.

 **CAUTION:** The blower housing contains a high speed fan blade that can amputate fingers, grab loose clothing and neckties, or propel dust at high velocities. **DO NOT OPERATE WITHOUT ALL PARTS IN PLACE.**

Do not attempt to clean, remove dust bags or service unit while in operation. Disconnect from power source.

This Dust Collection System is intended for either commercial or household use.

IMPORTANT NOTE Please Read Carefully


Static Shocks Are Common - in dry areas or when the relative humidity of the air is low. To reduce the fre-


quency of static shocks in your home, the best remedy is to add moisture to the air with a console or installed humidifier.

The safety information in this manual is highlighted by the following safety alert symbol.



The following signal words are used to indicate the level of risk.

 **DANGER:** Means that if the safety information is not followed, someone will be seriously injured or killed.

 **WARNING:** Means that if the safety information is not followed, someone could be seriously injured or killed.


 **CAUTION:** Means that if the safety information is not followed, someone may be injured.

TABLE OF CONTENTS

ITEM	PAGE
IMPORTANT SAFETY INSTRUCTIONS.....	2
GENERAL SAFETY INSTRUCTIONS	
FOR POWER TOOLS.....	4
INTRODUCTION & TABLE OF CONTENTS.....	5
UNPACKING & CHECKING CARTON	
CONTENTS.....	6
ASSEMBLY 1	
(A) MOUNTING FIXED CASTERS.....	8
(B) MOUNTING PIVOTING CASTERS	
AND SUPPORT BARS:.....	8
(C) MOUNTING STAND.....	9
ASSEMBLY 2	
MOUNTING BASES/ASSEMBLY & BAGS	
TO FILTRATION HOUSING.....	10
(A) MOUNTING THE FILTRATION	
HOUSING.....	11
(B) MOUNTING FILTER/DUST BAG HOLDER	
TO FILTRATION HOUSING.....	11
(C) UPPER FILTER/DUST BAG ASSEMBLY 11	
OPTIONAL: CHIP BAG ASSEMBLY.....	11
OPTIONAL ACCESSORIES.....	12
ATTACHING ACCESSORIES TO INLET GUARD	12
CONNECTING DUST COLLECTION SYSTEM	
TO POWER SOURCE.....	12
SWITCH.....	13
OPERATION	
POWER SUPPLY.....	14
GROUNDING INSTRUCTIONS.....	14
EXTENSION CORDS.....	14
FLOOR CLEANER FUNCTIONS.....	15
MAINTENANCE.....	16
TROUBLESHOOTING.....	16
REPAIR PARTS FIGURE.....	18
PARTS LIST.....	19

introduction

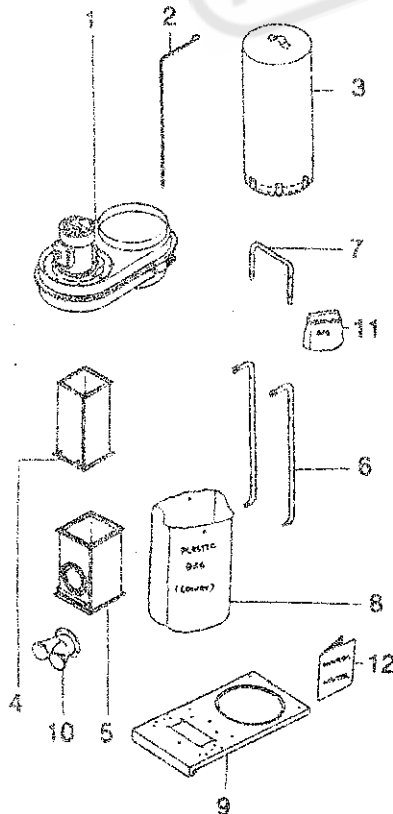
UNPACKING AND CHECKING CARTON CONTENTS

WARNING: IF ANY PARTS ARE MISSING OR BROKEN, GET THE PROPER PARTS FROM BEFORE ASSEMBLY OR USING THIS DUST COLLECTION SYSTEM.

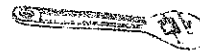
Remove entire contents of carton. Check each item against the Carton Contents List. Notify your Store immediately if any parts are damaged or missing.

A. CARTON CONTENTS LIST

	Q'TY
1. FILTRATION HOUSING.....	1
2. HOLDER-DUSTBAG.....	1
3. BAG-UPPER.....	1
4. STAND-UPPER.....	1
5. STAND-LOWER.....	1
6. SUPPORTING BAR.....	2
7. HANDLE.....	1
8. BAG-LOWER.....	1
9. BASE.....	1
10. PIPE INLET.....	1
11. HARDWARE BAG.....	1
12. MANUAL.....	1



Tools Needed



Adjustable Wrench

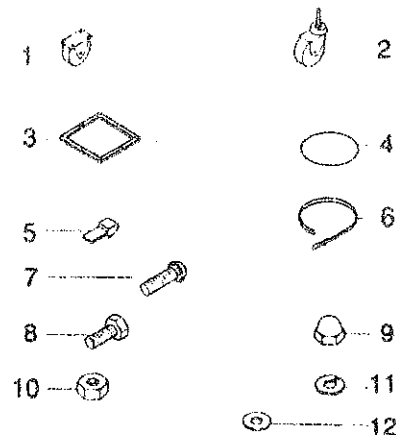


Screwdriver

WARNING: PLUGGING THE DUST COLLECTION SYSTEM DURING ASSEMBLY CAN RESULT IN ELECTRICAL SHOCK OR YOUR FINGERS, HAND, OR ARM BEING CUT OFF FROM FAN BLADE CONTACT. DO NOT PLUG IN THE COLLECTOR AT ANY TIME DURING ASSEMBLY. THE DUST COLLECTION SYSTEM SHOULD ONLY BE PLUGGED IN WHEN IT IS TO BE USED.

B. LIST OF PARTS IN HARDWARE BAG

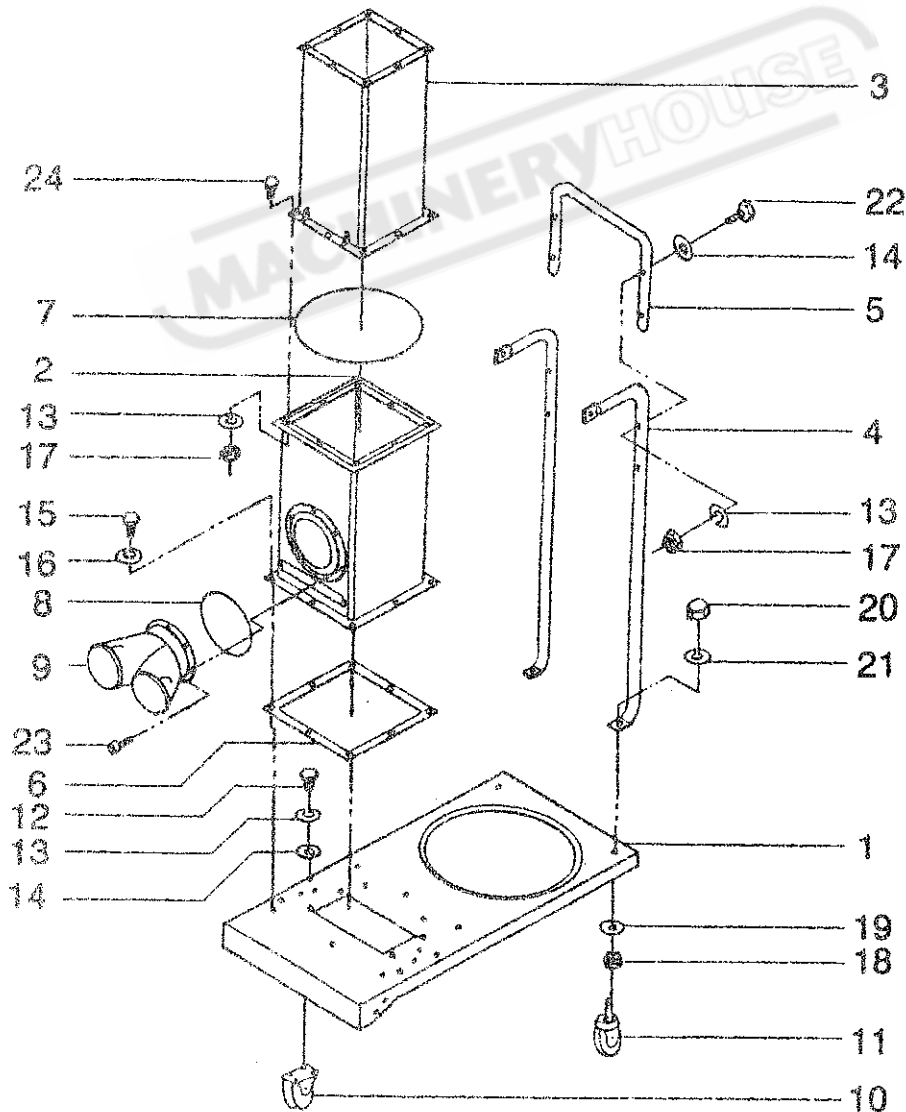
	Q'TY
1. FIXED CASTER.....	2
2. PIVOTING CASTER.....	2
3. SEAL HOUSING LOWER BASE.....	1
4. O-RING ADAPTER (ø165).....	1
STANDASSM (ø268).....	1
5. SWITCH KEY (SAFETY SWITCH ONLY).....	1
6. DUST BAG CLAMP.....	2
7. SCREW (LOCK) M6x1x12.....	6
8. SCREW-HEX M6x1x10.....	4
M6x1x16.....	8
M6x1x20.....	8
M6x1x50.....	4
M8x1.25x16.....	2
M8x1.25x20.....	8
9. ACRON NUT 3/8".....	2
10. NUT-HEX M6x1.....	13
M8x1.25.....	2
3/8"-16.....	2
11. LOCK WASHER 1/4".....	25
5/16".....	10
3/8".....	2
12. FLAT WASHER 1/4"x1/2".....	9
5/16"x11/16"x1/16".....	2
3/8"x3/4".....	2



assembly

C. MOUNTING STAND & SUPPORTING BAR TO BASE

	Q'TY		
1. BASE.....	1	13. LOCK WASHER 1/4".....	16
2. STAND-LOWER.....	1	14. FLAT WASHER 1/4" x 1/2".....	8
3. STAND-UPPER.....	1	15. SCREW-HEX M8 x 1.25 x 16.....	8
4. SUPPORTING BAR.....	2	16. LOCK WASHER 5/16".....	8
5. HANDLE.....	1	17. NUT-HEX M6 x 1.....	12
6. SEAL-BASE.....	1	18. NUT-HEX 3/8" - 16.....	2
7. O-RING (DIA. 268).....	1	19. FLAT WASHER 3/8" x 3/4".....	2
8. O-RING (DIA. 165).....	1	20. ACORN NUT 3/8" x 3/4".....	2
9. PIPE INDET.....	1	21. LOCK WASHER 3/8".....	2
10. FIXED CASTER.....	2	22. SCREW-HEX M6 x 1 x 50.....	4
11. PIVOTING CASTER.....	2	23. SCREW (LOCK) M6 x 1 x 12.....	6
12. SCREW-HEX M6 x 1 x 10.....	4	24. SCREW-HEX M6 x 1 x 20.....	8



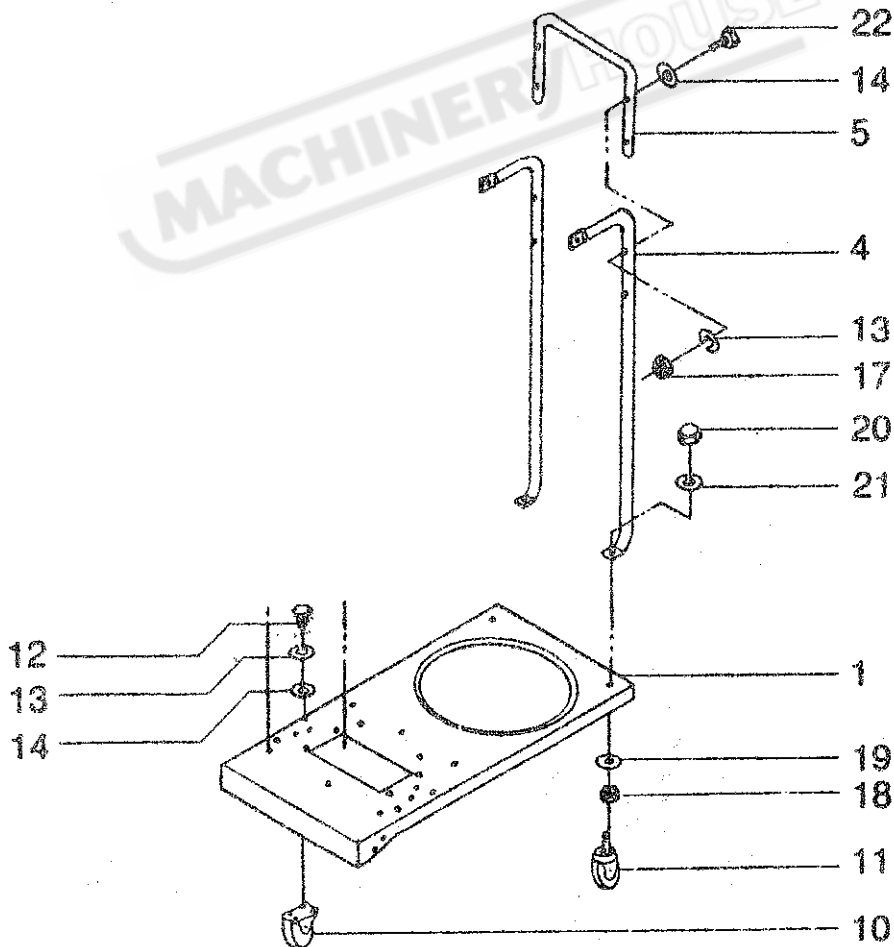
assembly 1

(A) MOUNTING FIXED CASTERS:

1. Position fixed caster under the base so that holes on caster bracket and base line up.
2. Install hex screw, lock washer and flat washer as shown and tighten them securely.

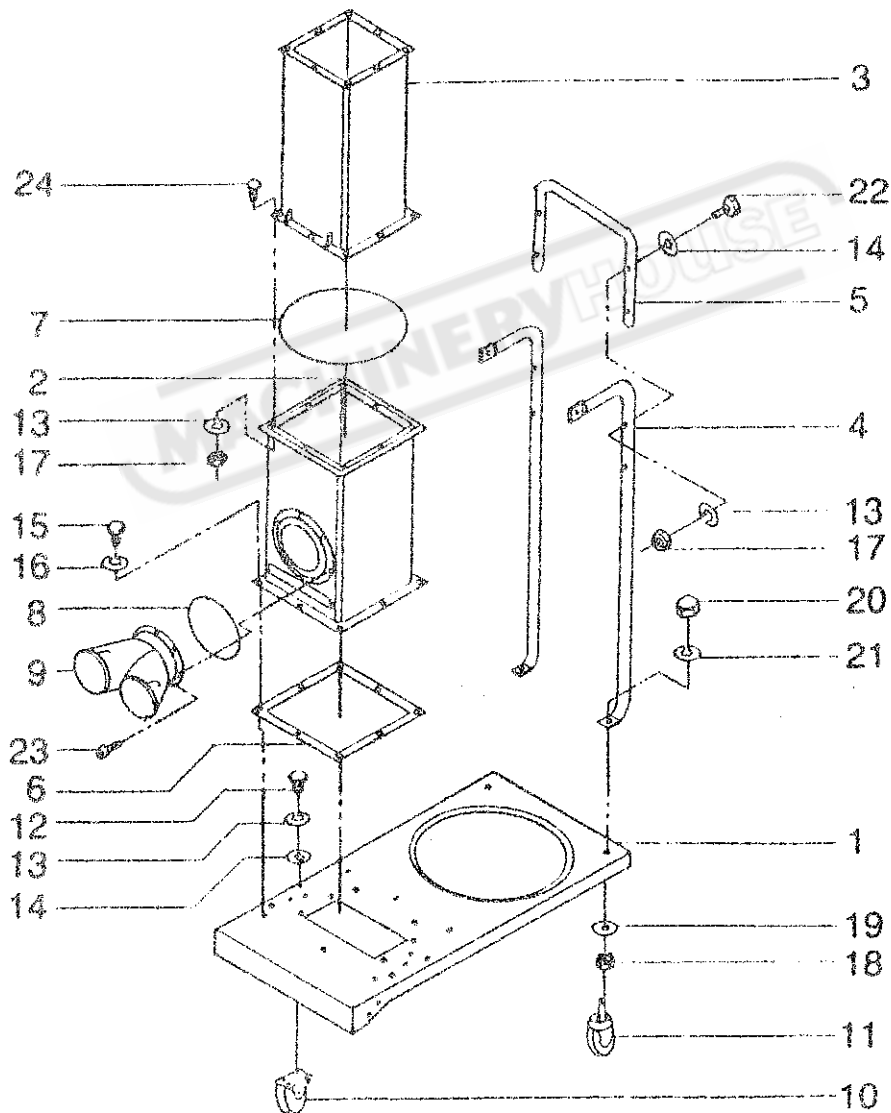
(B) MOUNTING PIVOTING CASTERS AND SUPPORT BARS:

1. Screw a hex nut completely on the caster bolt. Position flat washer on top of installed hex nut caster.
2. Position the support bar on the top of base and put the pivoting caster under the base as shown and slip the caster bolt through the hole of base and the hole of support bar then position the flat washer and acorn nut on the caster bolt and tighten them securely.
3. To assemble the handle by hex nut, hex screw, lock washer and flat washer tighten them securely.



(C) MOUNTING STAND**AS SHOWN:**

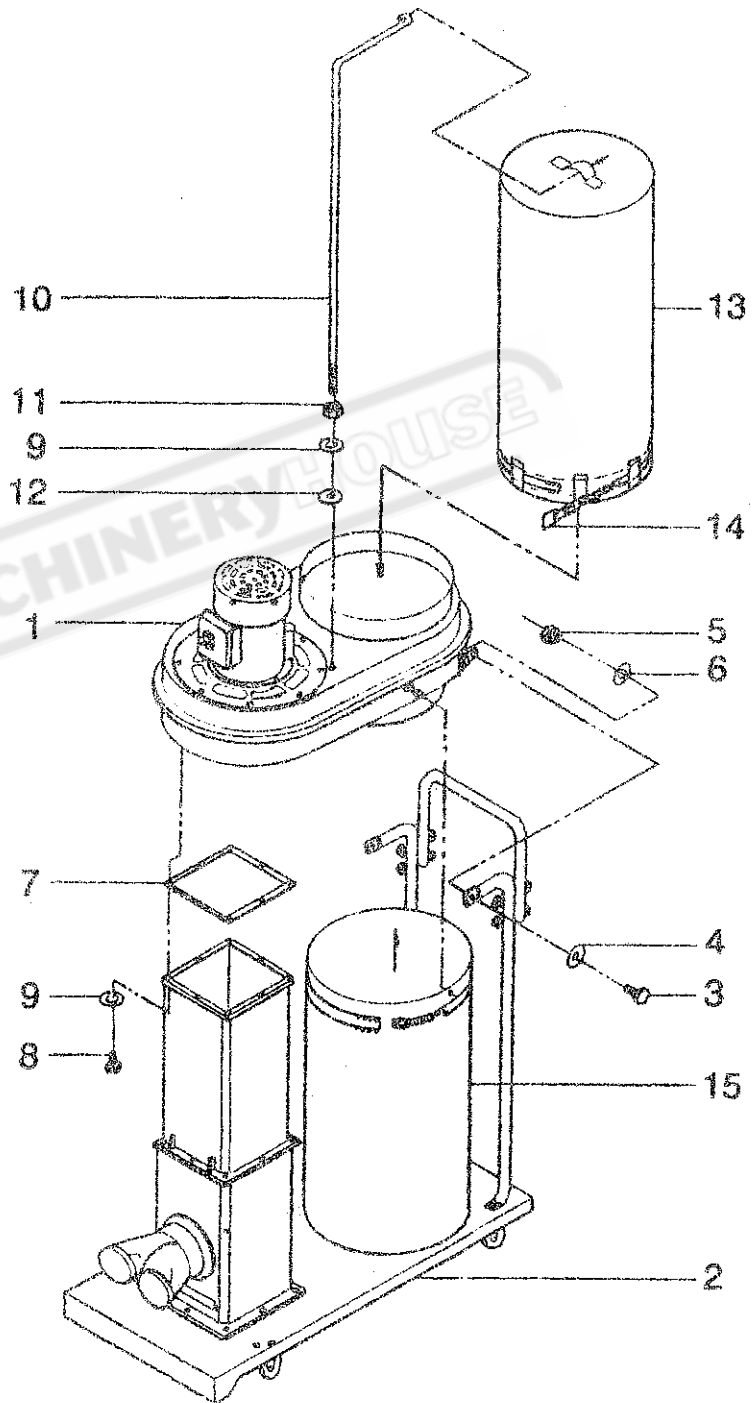
1. Position the seal large and lower stand (High-impacted plastic material) on the base and install hex screw with lock washer.
Notice. Each side shall be tighten securely.
2. Put O-Ring ($\phi 268\text{m/m}$) insert onto the square open end and then put the upper stand onto the top of lower stand and tighten the hex screw, hex nut with lock washer at each side.
3. Put O-RING ($\phi 165\text{m/m}$) insert onto the round open of lower stand and position the $\phi 4"$ Y-inlet cover (or $\phi 6"$ inlet cover) then install the lock screws.



assembly 2

D. MOUNTING BASE/ASSEMBLY & BAGS TO FILTRATION HOUSING

- | | QTY |
|------------------------------------|-----|
| 1. FILTRATION HOUSING | 1 |
| 2. BASE-ASSEMBLY | 1 |
| 3. SCREW-HEX M8x1.25x16 | 2 |
| 4. F. WASHER 5/16x11/16x1/16 | 2 |
| 5. NUT-HEX M8x1.25 | 2 |
| 6. LOCK WASHER 5/16" | 2 |
| 7. SEAL-HOUSING LOWER | 1 |
| 8. SCREW-HEX M6x1x16 | 8 |
| 9. LOCK WASHER 1/4" | 9 |
| 10. HOLDER-DUST BAG | 1 |
| 11. NUT-HEX M6x1 | 1 |
| 12. FLAT WASHER 1/4" | 1 |
| 13. BAG-UPPER | 1 |
| 14. CLAMP-DUST BAG | 2 |
| 15. BAG-LOWER | 1 |



(A) MOUNTING THE FILTRATION HOUSING:

1. Notice: The filtration housing is important main body of this dust collector. Position the filtration housing onto the stand and support bars as shown.
2. Be sure to put the seal (small) on the top of the square open end of upper stand before you posit the filtration housing onto the stand.
3. Install all hex screws with lock washer and all sides of stand tighten them under to the lower housing.
4. Install the hex screw with flat washer and hex nut to secure support bars are tighten to the relief flanges which are spotted on the housing.

(B) MOUNTING FILTER/DUST BAG HOLDER TO FILTRATION HOUSING:

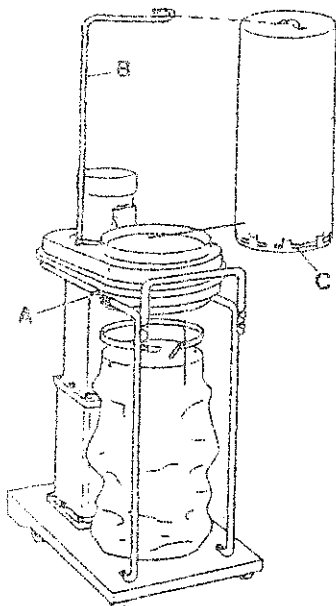
1. Attach hex nut to threaded portion of filter/dust bag holder and place lock washer and flat washer on nut as shown.
2. Insert the holder into threaded hole of filtration housing.
Turn the holder clockwise until nut is secured to the housing.
3. Secure the holder in place with adjustable wrench.

(C) UPPER FILTER/DUST BAG ASSEMBLY

1. Disconnect the Adjustable Band Clamp and insert the end through the loops provided at the opening of the Filter/Dust Bag.
2. Invert the Filter/Dust Bag and slip the open end of the Bag over the 1" Relief on the top opening of the Filtration Housing.
3. Secure the Bag by adjusting the rectangular bar to the fourth set of hooks.
4. Pull the lever tight until it sets itself.

CAUTION: Make sure the opening of the bag is tight against the relief so dust will not escape.

Using the two holes provided on the lower clear plastic dust bag, hang the bag on the steel pins A, located on either side of the lower housing shown in Figure, and secure the bag to the lower relief extension with an adjustable clamp.

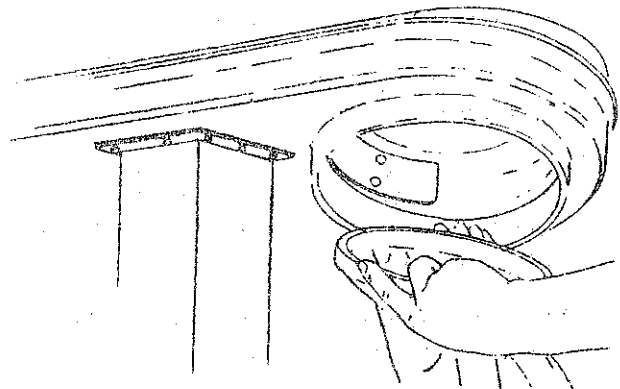


WARNING: FOR YOUR OWN SAFETY, TURN SWITCH "OFF" AND REMOVE PLUG FROM POWER SOURCE OUTLET BEFORE MAINTAINING YOUR DUST COLLECTION SYSTEM.

WARNING: TO AVOID INJURY FROM ELECTRIC SHOCK OR SUDDENLY STARTING UNIT, ALWAYS REMOVE SWITCH KEY AND KEEP UNPLUGGED WHILE UNIT IS DISASSEMBLED IN ANY WAY. ALWAYS REASSEMBLE WITH RECOMMENDED PARTS BEFORE PLUGGING UNIT IN.

OPTIONAL**CHIP BAG ASSEMBLY - LOWER FILTRATION HOUSING**

1. Insert lower Chip Bag by tilting the Metal Reinforced Band at an angle and position it through the hole in the lower Filtration Housing.
2. Tuck one side of the Band under the Sawdust Shoot Extension.
3. Allow the opposite side to rest on the ridge of the opening.
4. Tug on the Chip Bag to insure proper seating.




OPTIONAL ACCESSORIES:

This Dust Collection System is designed to be connected directly to the woodworking machines. Please, use only the optional accessories provided for maximum efficiency.

4" Diameter x 60" Hose. PVC Vulcanized rubber with wire reinforcement and 2 - 4" clamps.

4"1/2-1/2" Diameter Adaptor. This connector allows direct hookup to many machines including Band-saws, Belt and Disk Sanders, and Radial Saw Sawdust Collector.


 **WARNING:** To avoid fire or explosion caused by the igniting of vapors or dust due to the arcing of

electrical parts, do not operate this Dust Collection System in areas with flammable vapors such as lighter fluid, cleaners, oil-base paints, gasoline, alcohol or explosive dust such as coal, magnesium, grain or gun powder in the air. Do not vacuum explosive dust, flammable or combustible liquids or hot ashes. To avoid health hazards from vapors or dusts, do not use near toxic materials. To avoid electrical shock, do not expose to rain. Store indoors. Unplug power cord before changing, cleaning, or emptying the filter/dust bag or chip bag.


ATTACHING ACCESSORIES TO INLET GUARD

4" Diameter Hose/Clamp Assembly and Adaptor

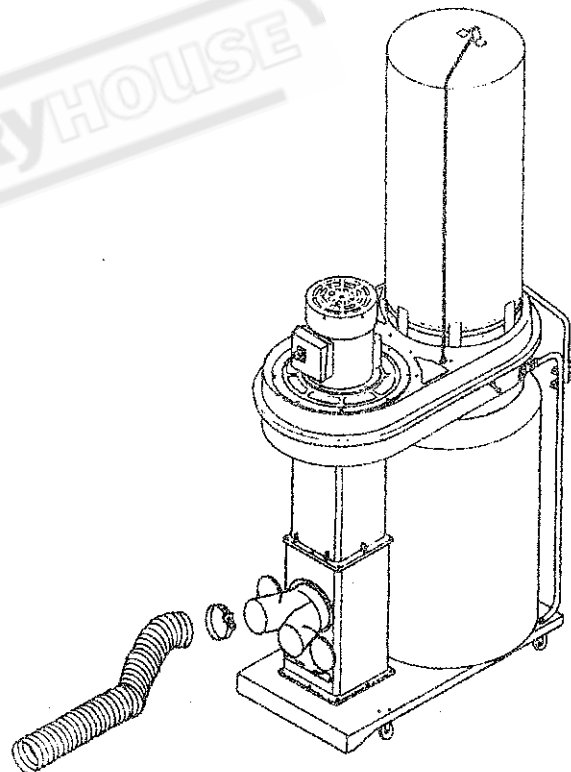
1. Open *Clamp* and insert *Hose* as shown, by slipping *Clamp* over *Hose*. Attach to *Inlet Guard Cover* and tighten *Clamp* with a straight blade screwdriver. Use this same process to connect *Adaptor*. Tighten both *Clamps* securely to increase air velocity and reduce leakage. The *Adaptor* will permit easy disconnect.

 **CAUTION:** To avoid fire, use only the hose and adaptor designed for this unit. The adaptor is designed to fit only to the hose. Do not attach it directly to any other inlet opening.

CONNECTING DUST COLLECTION SYSTEM TO POWER SOURCE

 **CAUTION:** If connected to a circuit protected by fuses, use time delay fuses with this appliance.

1. Prior to connecting your Dust Collection System to any power source, be sure your bags are installed properly. This will remove any possibility of dust flying in your face.
2. The motor on your Dust Collection System is wired for 120 volts, single phase power system. Make sure the motor rating agrees with the electrical system it is to be connected to.
3. Too many machines on one circuit will blow fuses. Be careful not to overload circuit.

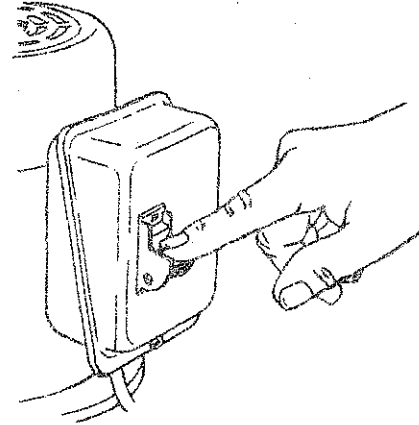


ON / OFF SWITCH

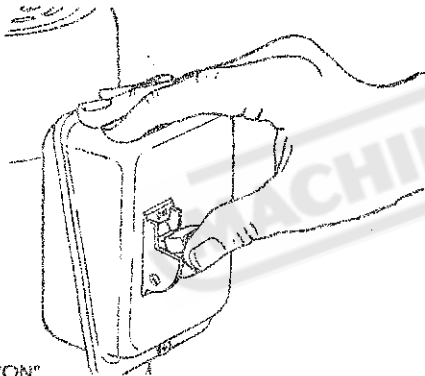
On the rear of the *Motor Housing* above the *Handle*, is the *Switch Box*. The ON/OFF Switch has the ability to be turned "ON" when the *Red Key* is properly installed. Switch to the "ON" position by moving the switch upward. Turn the switch "OFF" by moving downward. Remove the Key from the switch whenever the saw is turned "OFF" and keep it out of the reach of children.

⚠ WARNING: THE DUST COLLECTION SYSTEM CAN START ACCIDENTALLY OR BE USED BY CHILDREN OR OTHERS WHEN THE KEY IS LEFT IN THE SWITCH. ALWAYS REMOVE KEY WHEN THE DUST COLLECTION SYSTEM IS 'OFF', AND KEEP IT OUT OF THE REACH OF CHILDREN.

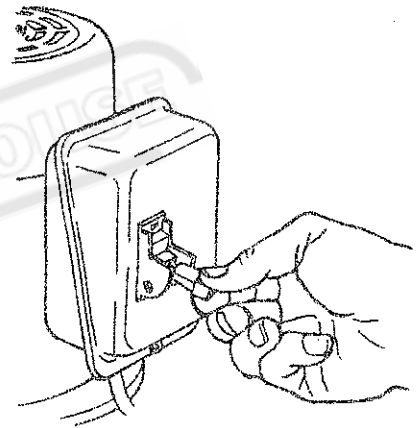
⚠ WARNING: THE DUST COLLECTION SYSTEM WILL START IMMEDIATELY WHEN THE POWER COMES BACK ON AFTER A BLACKOUT IF THE KEY IS LEFT 'ON' IN THE SWITCH. ALWAYS TURN THE SWITCH 'OFF' AND REMOVE THE KEY.



Turning Switch "OFF"



Turning Switch "ON"



Removing Switch Key

NOTICE : The type of Switch on your dust collector might be different to the above ON/OFF switch for your country.

operation

POWER SUPPLY

WARNING: YOUR DUST COLLECTION SYSTEM IS WIRED AT THE FACTORY FOR 120V OPERATION. CONNECT TO A 120V, 15-AMP, BRANCH CIRCUIT AND USE A 15-AMP, TIME DELAY FUSE OR CIRCUIT BREAKER. FAILURE TO CONNECT IN THIS WAY CAN RESULT IN INJURY FROM SHOCK OR FIRE.

Your Dust Collection System must be properly grounded. Not all outlets are properly grounded. If you are not sure that your outlet is properly grounded, have it checked by a qualified electrician.

WARNING: IF NOT PROPERLY GROUNDED, THIS DUST COLLECTION SYSTEM CAN CAUSE ELECTRICAL SHOCK, PARTICULARLY WHEN USED IN DAMP LOCATIONS.

WARNING: TO AVOID SHOCK OR FIRE, IF POWER CORD IS WORN, CUT, OR DAMAGED IN ANY WAY, HAVE IT REPLACED IMMEDIATELY.

GROUNING INSTRUCTIONS

This appliance must be grounded. If it should malfunction or breakdown, grounding provides a path of least resistance for electric current to reduce the risk of electric shock. This appliance is equipped with a cord having an equipment-grounding conductor and grounding plug. The plug must be plugged into an appropriate outlet that is properly installed and grounded in accordance with all local codes and ordinances.

WARNING: TO MAINTAIN PROPER DUST COLLECTION SYSTEM GROUNING, WHENEVER THE OUTLET YOU ARE PLANNING TO USE FOR THIS POWER TOOL IS OF THE TWO PRONG TYPE, DO NOT REMOVE OR ALTER THE GROUNING PRONG IN ANY MANNER.

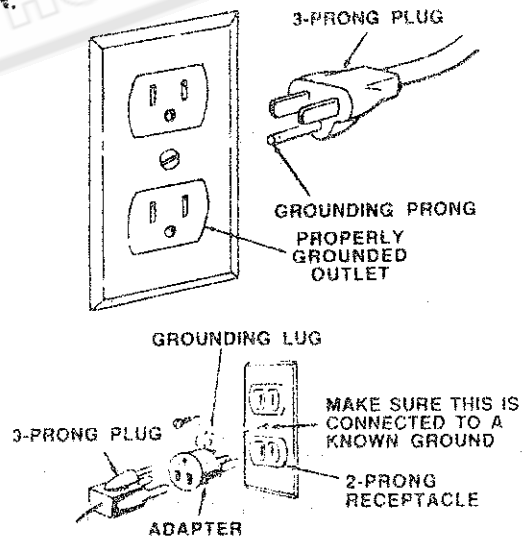
EXTENSION CORDS

The use of any extension cord will cause some loss of power. Use the following table to determine the minimum wire size (A.W.G.) extension cord. Use only 3-wire extension cords which have 3-prong grounding type plugs and 3-pole receptacles which accept the tool's plug.

For circuits that are farther away from electrical circuit

This appliance is for use on a nominal 120-volt circuit, and has a grounded plug that looks like the plug illustrated below. A temporary adapter may be used to connect this plug to a 2-pole receptacle, as shown below, if a properly grounded outlet is not available. The temporary adapter should be used only until a properly grounded outlet can be installed by a qualified electrician. The green colored rigid ear, lug, or the like, extending from the adapter must be connected to a permanent ground such as a properly grounded outlet box cover. Whenever the adapter is used, it must be held in place by a metal screw.

WARNING: IMPROPER CONNECTION OF THE EQUIPMENT GROUNING CONDUCTOR CAN RESULT IN A RISK OF ELECTRIC SHOCK. CHECK WITH A QUALIFIED ELECTRICIAN OR SERVICE PERSON IF YOU ARE IN DOUBT AS TO WHETHER THE OUTLET IS PROPERLY GROUNDED. DO NOT MODIFY THE PLUG PROVIDED WITH THE APPLIANCE IF IT WILL NOT FIT THE OUTLET, HAVE A PROPER OUTLET INSTALLED BY A QUALIFIED ELECTRICIAN.



WARNING: THE ADAPTER ILLUSTRATED IS FOR USE ONLY IF YOU ALREADY HAVE A PROPERLY GROUNDED 2-PRONG RECEPTACLE.

box, the wire size must be increased proportionately in order to deliver ample voltage to the saw motor.

Length of Conductor	Wire Sizes Required
	(American Wire Gage 120V Lines)
0 - 25 feet	No. 16
26 - 50 feet	No. 14
51 - 100 feet	No. 12

✦ **FLOOR CLEANER:** Fig. A

A special function sweeper attachment with the unit for cleaning your working area.
Be sure to close the caps on Y inlet and to pull out the air guard for opening sweeper.

✦ **Y INLET:** Fig. B

Y inlet is to be connected with $\phi 4"$ hose to woodworking machine, be sure to close up the sweeper's air guard for the efficient operation.

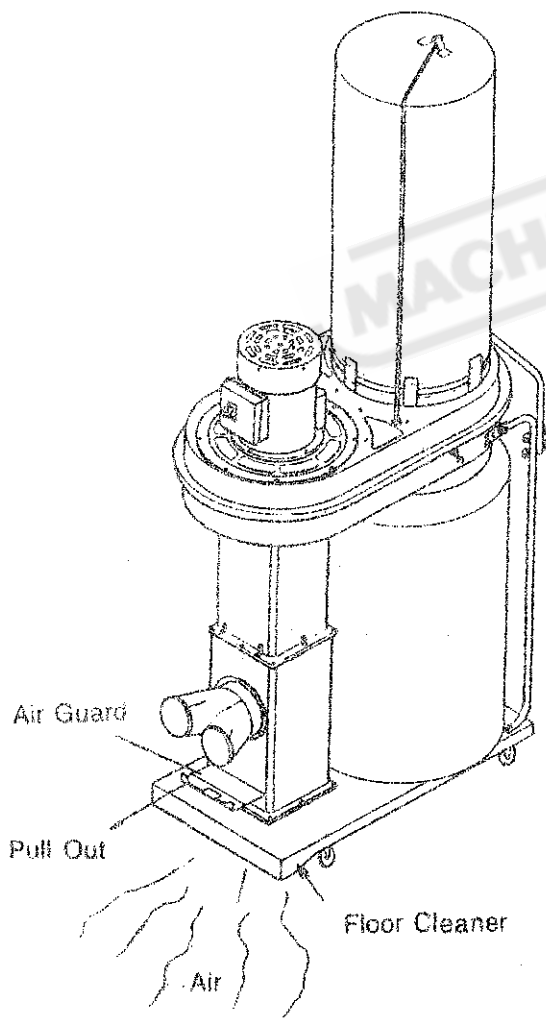


Fig.A

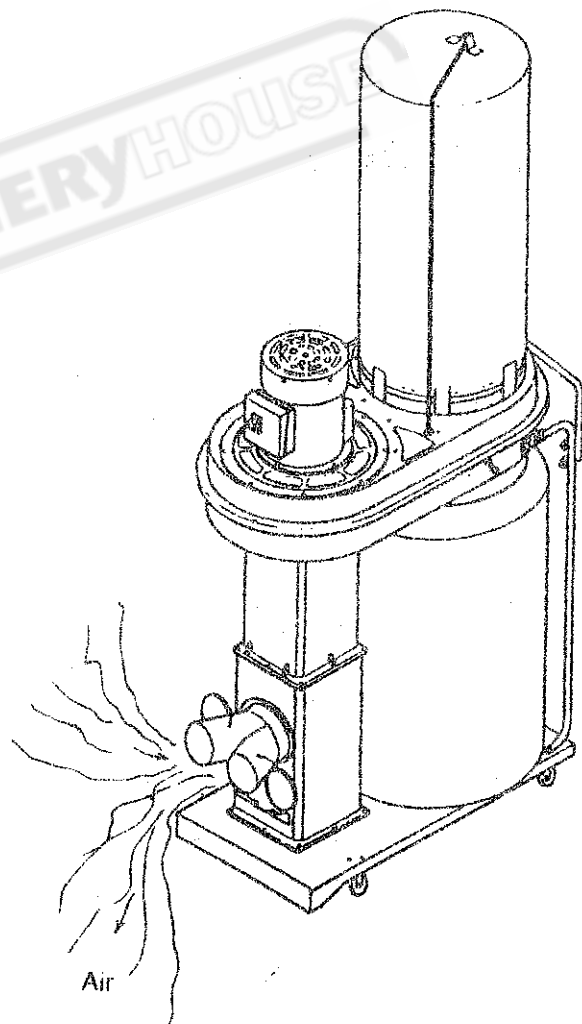


Fig.B

maintenance


MOTOR

Excessive dust in motor could cause excessive heat in motor.

Every effort should be made to prevent foreign material from entering the motor. When operated under conditions likely to permit accumulations of dust, dirt, or waste within the motor, a visual inspection should be made at frequent intervals. Accumulations of dry dust can usually be blown out successfully.

NOTE: Motors used on wood-working tools are particularly susceptible to the accumulation of sawdust and wood chips and should be blown out or "vacuumed" frequently to prevent interference with normal motor ventilation.

To remove dust, blow off motor with a low pressure air hose.

 **CAUTION:** To avoid eye injury or adverse reaction to dust, high air pressure should not be used especially in poorly ventilated areas.

The operator performing this cleaning function should wear safety goggles and filter mask.

Do not use unit if power cord becomes worn or frayed.

If any servicing (other than the above cleaning) becomes necessary, it should be performed by an authorized Service Center.

NOTE: The speed of this motor cannot be regulated or changed.

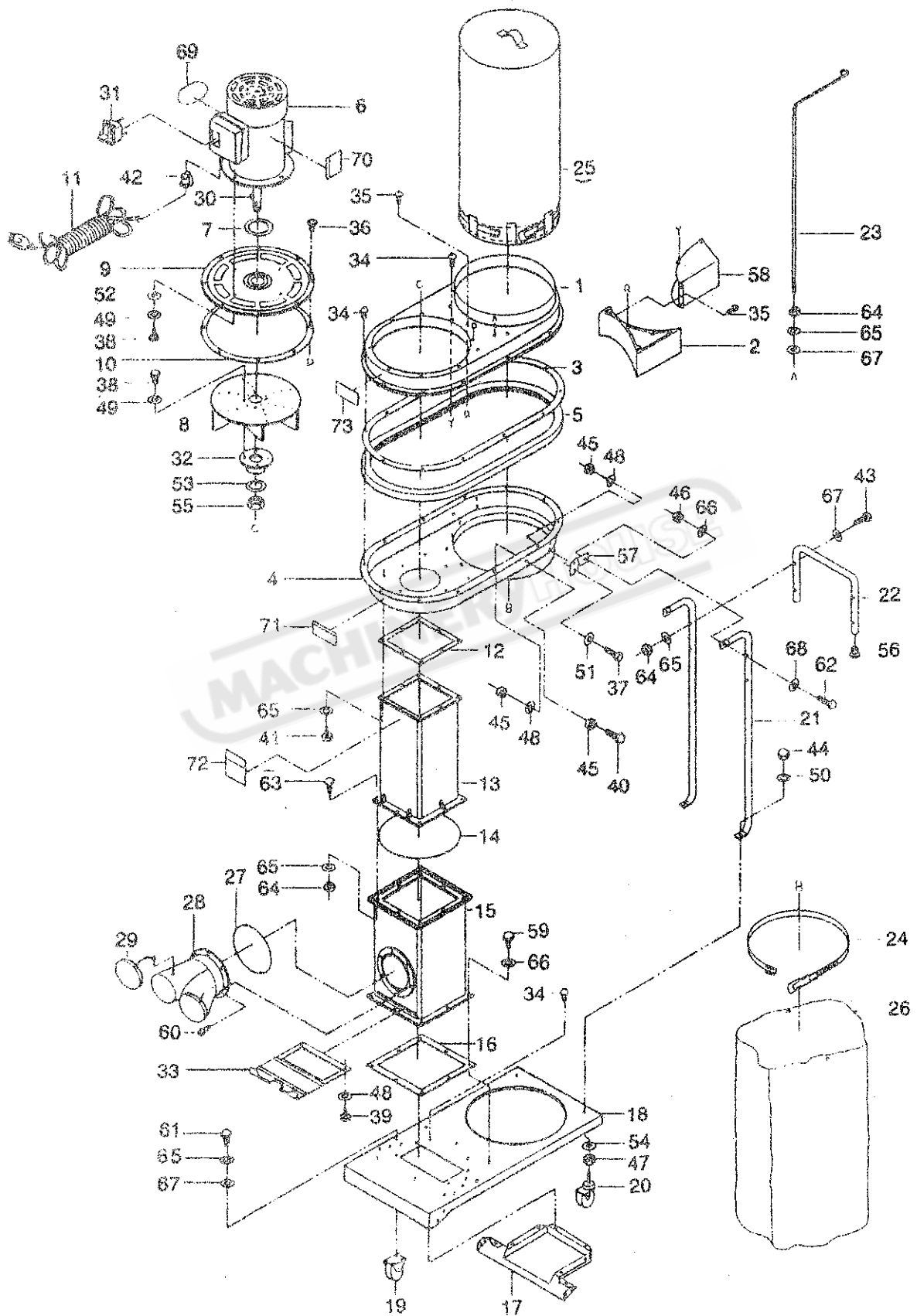
troubleshooting

MOTOR

PROBLEM	PROBABLE CAUSE	REMEDY SUGGESTED
Motor will not run.	<ol style="list-style-type: none"> 1. Defective cord, plug, switch and/or motor. 2. Blown fuse. 	<ol style="list-style-type: none"> 1. Consult Service. Any attempt to repair this motor may create a hazard unless repair is done by a qualified service technician. Repair service is available at your nearest service center. 2. Check for blown fuses and replace with fuse of proper capacity.
Excessive sawdust in air.	<ol style="list-style-type: none"> 1. Loose connectors 2. Filter/dust bag and/or chip collection bag releasing sawdust. 	<ol style="list-style-type: none"> 1. Tighten connections. 2. a. Sawdust trapped between clamp bag and housing. b. Lower bag is hung up on sawdust shoot extension. Reposition chip bag properly. See "Maintenance - Chip Bag".
Excessive impeller noise.	<ol style="list-style-type: none"> 1. Picked up large wood chips or debris. 2. Loose impeller. 3. Rubbing impeller. 	<ol style="list-style-type: none"> 1. Do not pick up metal or ferrous materials. Stop the machine and the material will fall to the bottom of inlet tube. 2. Unplug unit prior to disassembly. Hazardous moving parts inside. Attach inlet guard before plugging in. Use a piece of wood to free impeller. 3. Consult Service to repair loose or rubbing impeller. A repair to the housing may create a hazard unless it is done by a qualified service technician. Repair service is available at your nearest service center.

PROBLEM	PROBABLE CAUSE	REMEDY SUGGESTED
Excessive noise.	1. Motor	1. Have motor checked by qualified service technician. Repair service is available at your nearest service center.
Motor fails to develop full power. NOTE: LOW VOLTAGE: (Power output of motor decreases rapidly with decrease in voltage at motor terminals. For example, a reduction of 19% in maximum power output of which the motor is capable and a reduction of 20% in voltage causes a reduction of 36% in maximum power output.)	1. Circuit overloaded with lights, appliances and other motors. 2. Undersize extension cord or extension cord too long. 3. General overloading of power company facilities.	1. Do not use other appliances or motors on same circuit when using the Dust Collection System. 2. Increase the wire sizes on extension cords, or reduce length of extension cords. See "Motor Specifications and Electrical Requirements" section. 3. Request a power check from the power company.
Motor starts slowly or fails to come up to full speed.	1. Low voltage. 2. Windings burned out or open. 3. Starting switch will not operate. (Switch contacts working properly.) Capacitor is bad.	1. Request voltage check from the power company. 2. Have motor repaired or replaced by a qualified service technician. 3. Have capacitor replaced by a qualified service technician.
Motor overheats	1. Motor overloaded. 2. Improper cooling. (Air circulation restricted through motor due to sawdust, accumulating inside of motor.)	1. Clean out sawdust to provide normal air circulation through motor. See "Maintenance" section.
Motor stalls (resulting in blown fuses or tripped circuit breakers).	1. Voltage too low to permit motor to reach operating speed. 2. Fuses or circuit breakers do not have sufficient capacity.	1. Request voltage check from the power company. 2. Install proper size fuses or circuit breakers.
Frequent opening of fuses or circuit breakers.	1. Motor overloaded. 2. Fuses or circuit breakers do not have sufficient capacity.	1. Install proper size fuses or circuit breakers.

NOTE: Motors used on wood-working tools are particularly susceptible to the accumulation of sawdust and wood chips and should be blown out or "vacuumed" frequently to prevent interference with normal motor ventilation and proper operation of the centrifugally-operated starting switch.



PARTS LIST

CODE	PARTS NO	DESCRIPTION	Q'TY
1	427001	Housing-Upper	1
2	427002	Guard-Impeller	1
3	427003	Seal-Housing	1
4	427004	housing-Lower	1
5	427005	Sleeve-Housing Edge	1
6	427006	Motor	1
7	423023	Seal-Motor	1
8	430006	Fan	1
9	427009	Motor Plate	1
10	430034	Motor Plange Packing	1
11		Cord-Power	1
12	427012	Seal-Housing Lower	1
13	427013	Stand-Upper	1
14	427014	O-Ring	1
15	427015	Stand-Lower	1
16	427016	Seal-Base	1
17	427017	Guard-Base	1
18	427018	Base	1
19	427019	Caster-Fixed	2
20	427020	Caster-Pivoting	2
21	427021	Supporting Bar	2
22	427022	Handle	1
23	427023	Holder-Dust Bar	1
24	422028	Clamp-Dust Bag	2
25	427025	Bag-Upper	1
26	427026	Clear Bag-Plastic	5
27	427027	O-Ring	1
28	427028	Pipe-Inlet	1
29	420203	Cover-Inlet	2
30	992021	Pin	1
31	994532	Switch	1

CODE	PARTS NO	DESCRIPTION	Q'TY
32	430007	Hub-Impeller	1
33	427033	Guard-Air	1
34	990805	Screw	28
35	990811	Screw	11
36	990912	Round Head Screw	8
37	990111	Hex. Screw	4
38	990131	Hex. Screw	8
39	990313	Screw-Hex Hole	2
40	990114	Hex. Screw	2
41	990113	Hex. Screw	8
42	998623	Strain Relief	1
43	990118	Hex. Screw	4
44	991452	Nut Acorn	2
45	991111	Nut-Hex	8
46	991112	Nut-Hex	2
47	991221	Nut-Hex	2
48	991921	Lock Washer	8
49	991931	Lock Washer	8
50	991941	Lock Washer	2
51	991712	F. Washer	4
52	991743	F. Washer	4
53	991821	F. Washer	1
54	991751	F. Washer	2
55	991373	Nut-Hex	1
56	427056	Plug-Plastic	2
57	427057	Supporting Block	2
58	427058	Extension Goard	1
59	990132	Hex. Screw	8
60	990912	Round Head Screw	6
61	990111	Hex. Screw	4
62	990131	Hex. Screw	2

